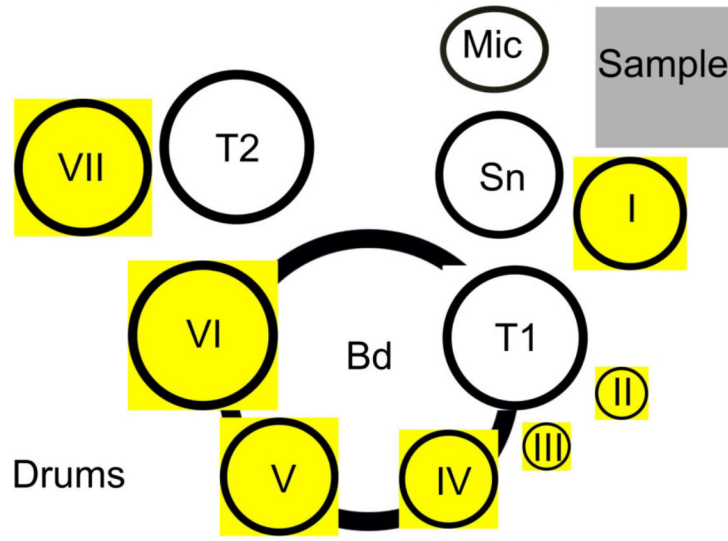


T1 : Hänge Tom 10"x10"  
 T2 : Stand Tom 16"x 18"  
 s: Snare 14" x8"  
 Bd: kick 22" x 16"  
 Becken:  
 I : HiHats  
 II : Splash  
 III: Splash  
 IV : Crash  
 V : Crash  
 VI: Ride  
 VII : Crash



AC

Monitor

AC

AC

GTR

Bass

Tech Rider

**WICKED DRILL**

Mic-Stand x1

Boom-Stand x3

Minimum:

1 Mike Gitarren-Amp

1 Mike / DI Bass-Amp

Drums: 4 Mikes f. Snare, Bassdrum, Overheads

3 Mikes Vocals

Stereo-Weg für Sampler

3 Monitore

Hinten: 3x AC für Amps und Sampler

Vorne: 2x AC für Pedalboards



Pedals

Monitor

AC

Monitor



Pedals

Monitor

AC