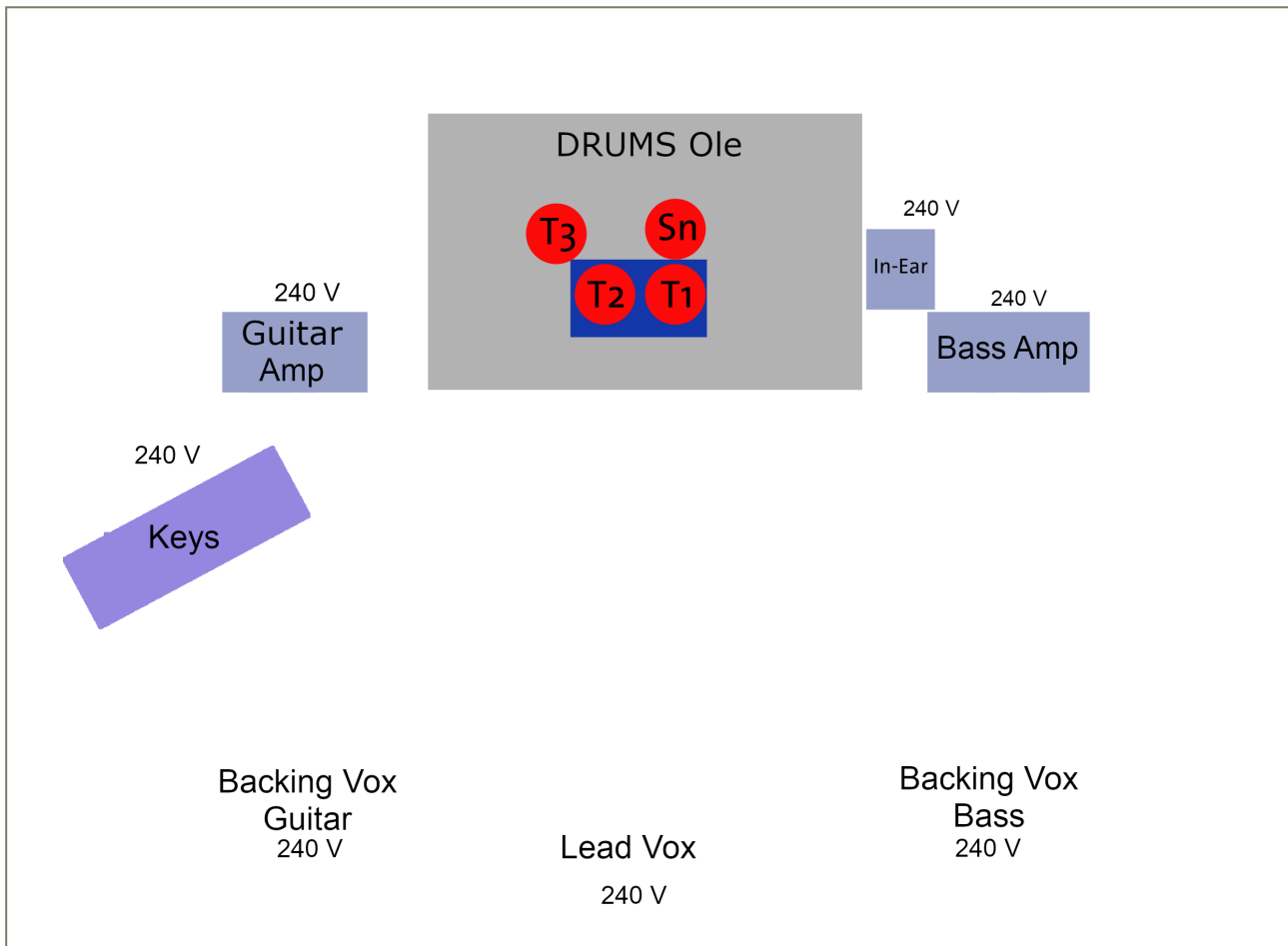


Technical Rider - Dornenkönig - small setup

Stageplott



Mikrofone / Kanalbelegung:

Ch	Instrument	
1	Kick	Shure Beta 91A
2	Kick	Shure Beta 52A
3	Snare	Shure SM57
4	HH	Shure SM81
5	Tom 1	Shure Beta 56A / Beta 98
6	Tom 2	-"
7	Tom 3	-"
8	OH 1	Shure KSM137 o. SM81
9	OH 2	-"

Ch	Instrument	
10	Bass	D.I., XLR
11	Guitar L	Quad Cortex -> XLR
12	Guitar R	Quad Cortex -> XLR
13	Acoustic Guitar	D.I.
14	Keys L	D.I.
15	Keys R	D.I.
16	Sequencer L	D.I.
17	Sequencer R	D.I.
18	Voc Lead	Sennheiser E945
19	Vox Drums	Shure Beta 58A
20	Vox Bass	Shure SM58
21	Vox Guitar	Shure SM58
22		
23		
24		

Contact:

Marc Nesselhauf
+49 151 580 25 647
marc@dornenkoenig.de