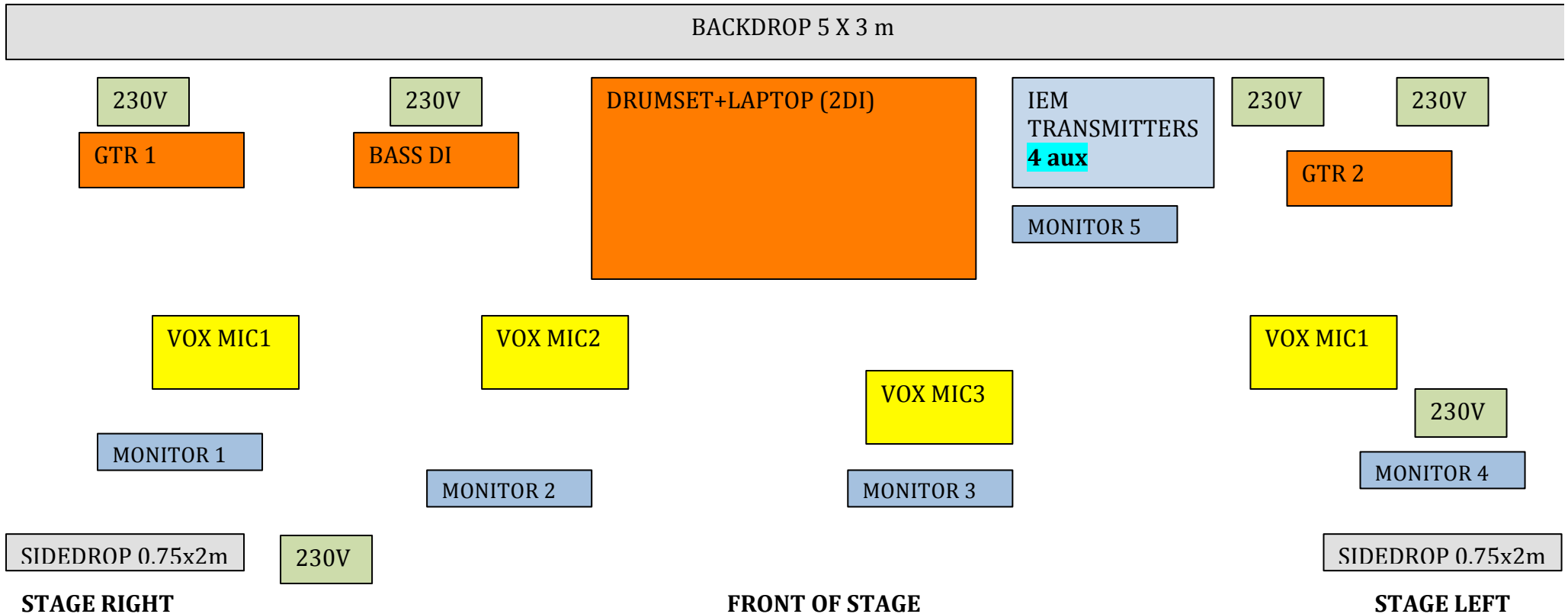


AVERAGE - STAGE PLOT



Specifications:

Laptop: Minijack out in L/R DI

Drumset: K, SN, HH, T1, FT, 2 OH miking preferred – for very small stages only K + SN

Bass: SansAmp DI Driver – xlr output (brought by the band), Amp miking OK but not necessary

GTR: Sm57 or e906

Vox Mics: Sm58, e935, NO BETA58

If there are not enough stage monitors or aux's, please link monitor 1 and monitor 2.

IEM can be linked to the stage monitors if necessary.

Bass Driver DI and IEM systems are brought by the band

for any questions or problems please don't hesitate to call our technical support – **0039 3409252363** (Claus). **We'll find a solution!**